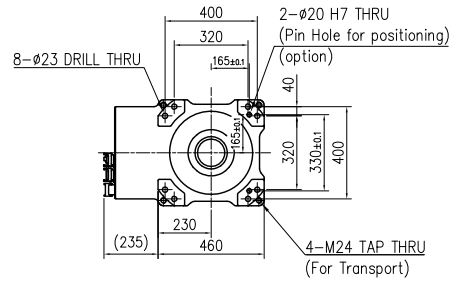
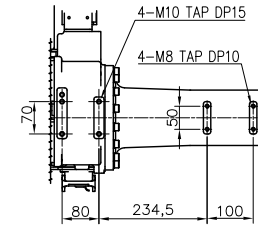


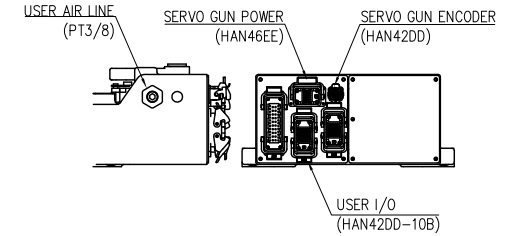
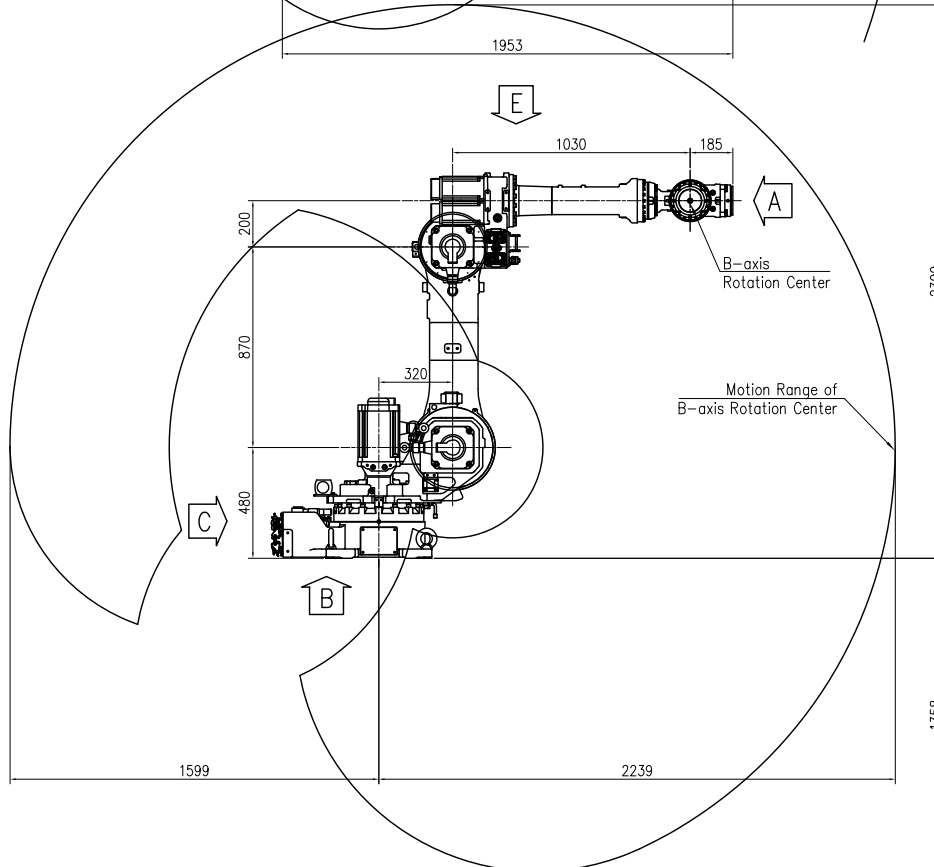
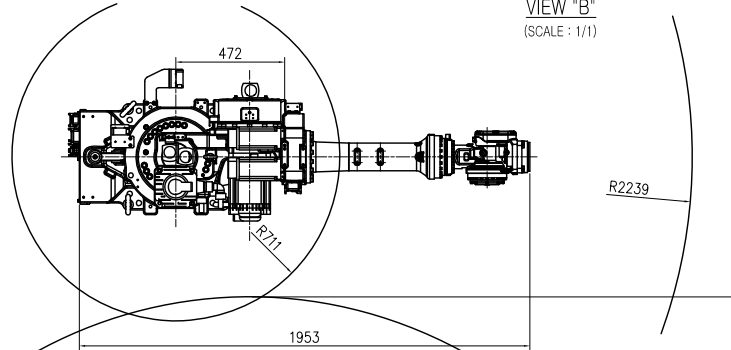
VIEW "A"
(SCALE : 4/1)



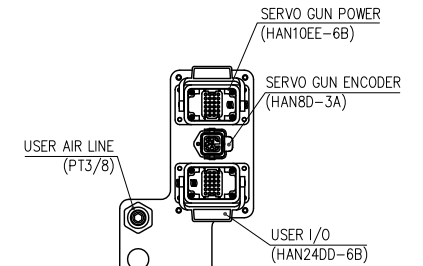
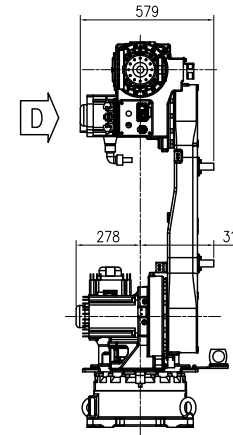
VIEW "B"
(SCALE : 1/1)



VIEW "E"
(SCALE : 2/1)



VIEW "C"
(SCALE : 2/1)



VIEW "D"
(SCALE : 4/1)

MODEL	YS100A	issue.1
DATE	2015.02.04	
HYUNDAI HEAVY INDUSTRIES CO.,LTD. ENGINE & MACHINERY DIVISION		

TECHNICAL SPECIFICATION SUBJECT
TO CHANGE WITHOUT NOTICE