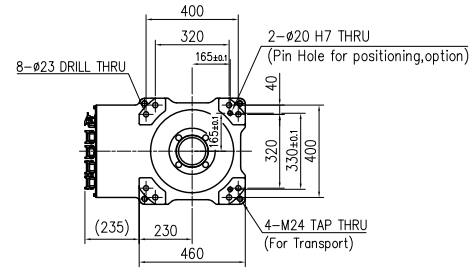
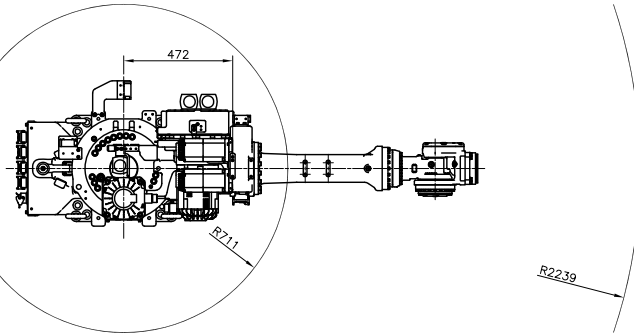
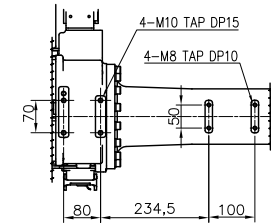


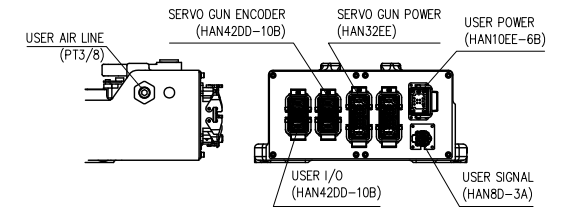
VIEW "A"  
(SCALE : 4/1)



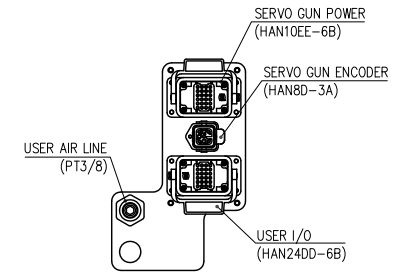
VIEW "B"  
(SCALE : 1/1)



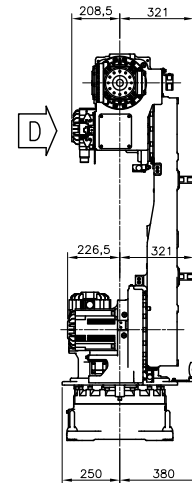
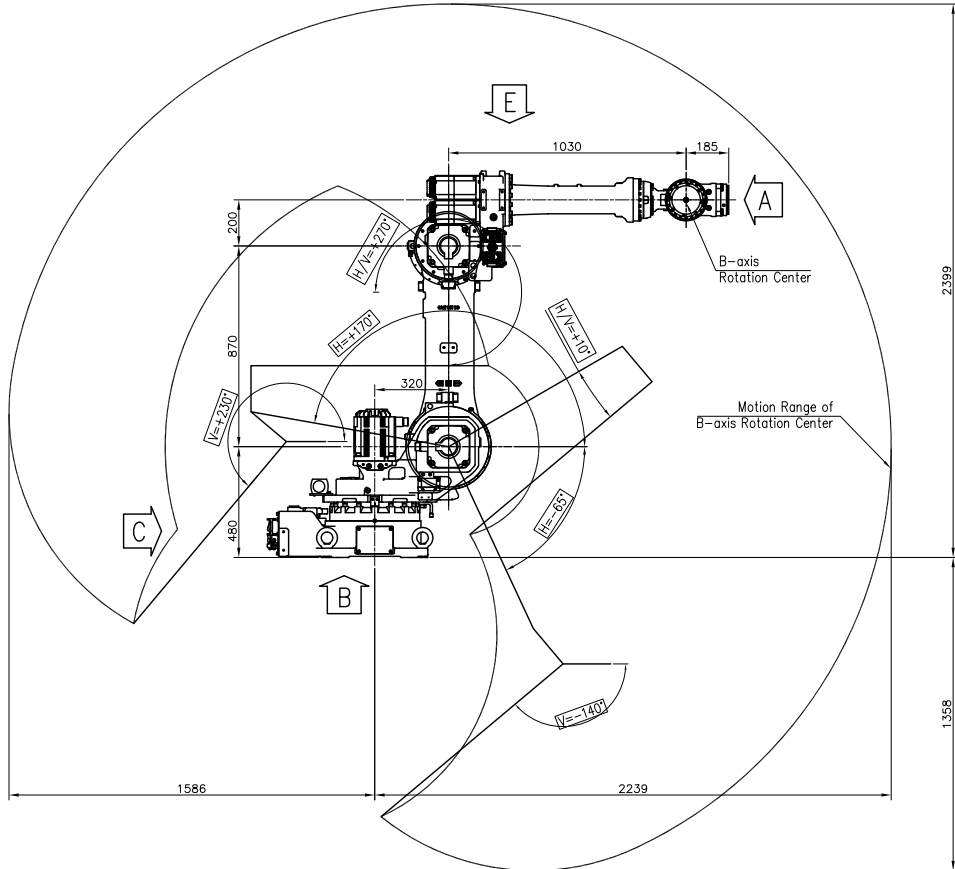
VIEW "E"  
(SCALE : 2/1)



VIEW "C" <For Hi5a Controller>  
(SCALE : 2/1)



VIEW "D"  
(SCALE : 4/1)



TECHNICAL SPECIFICATION SUBJECT TO CHANGE WITHOUT NOTICE

MODEL	YS080-11	issue.1
DATE	2015.02.04	
HYUNDAI HEAVY INDUSTRIES CO.,LTD. ENGINE & MACHINERY DIVISION		