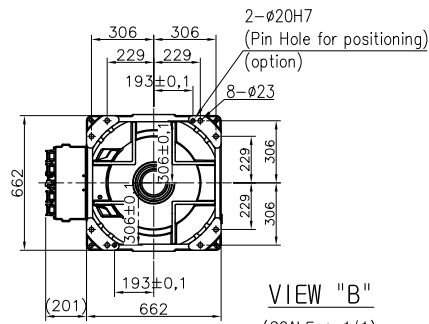
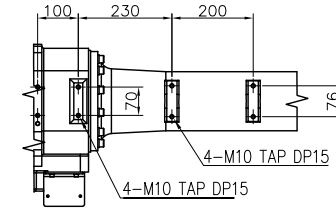


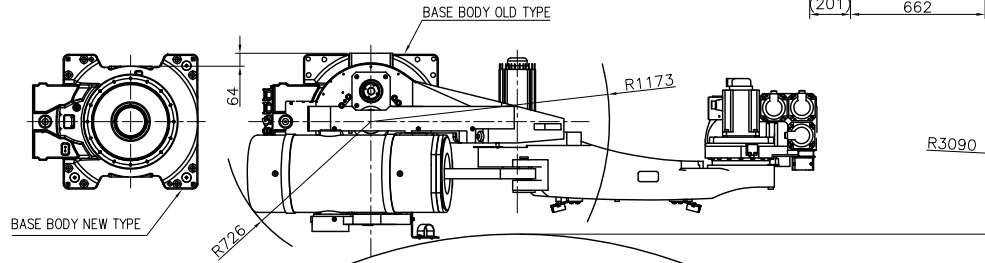
VIEW "A"  
(SCALE : 4/1)



VIEW "B"  
(SCALE : 1/1)

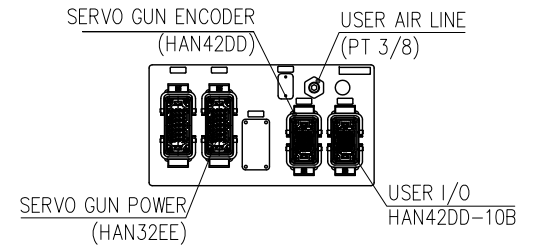
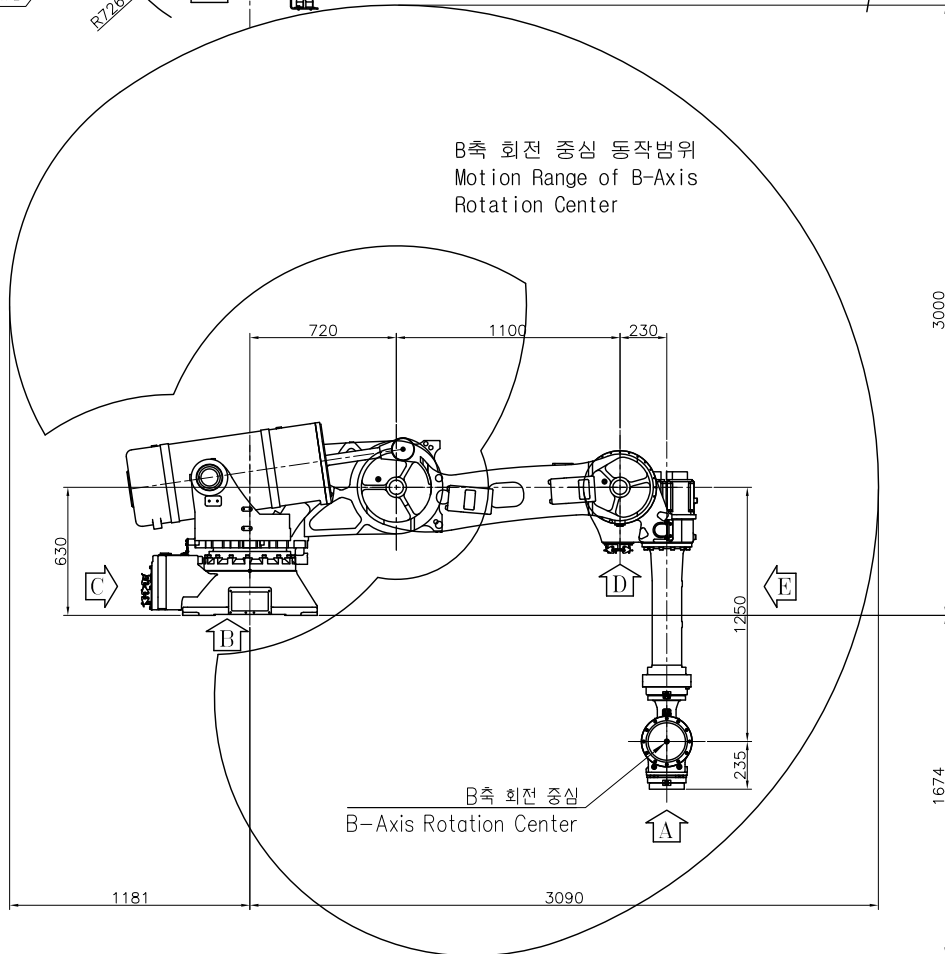


VIEW "E"  
(SCALE : 2/1)

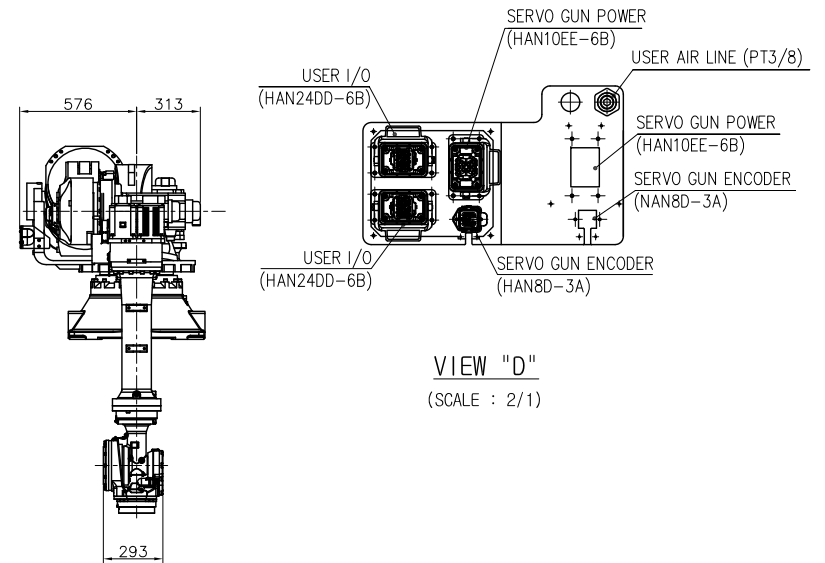


BASE BODY NEW TYPE

BASE BODY OLD TYPE



VIEW "C" <For Hi5a Controller>  
(SCALE : 2/1)



VIEW "D"  
(SCALE : 2/1)

TECHNICAL SPECIFICATION SUBJECT TO  
CHANGE WITHOUT NOTICE

MODEL	HS200S	issue.1
DATE	2015.02.04	
HYUNDAI HEAVY INDUSTRIES CO.,LTD. ENGINE & MACHINERY DIVISION		