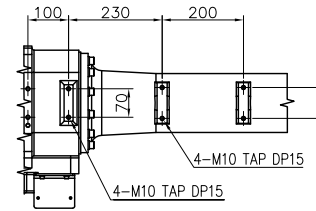
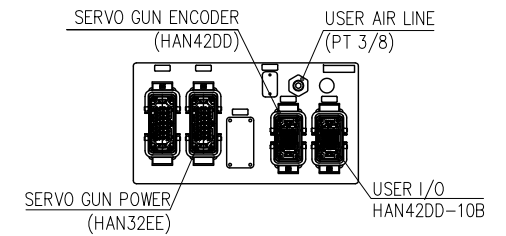
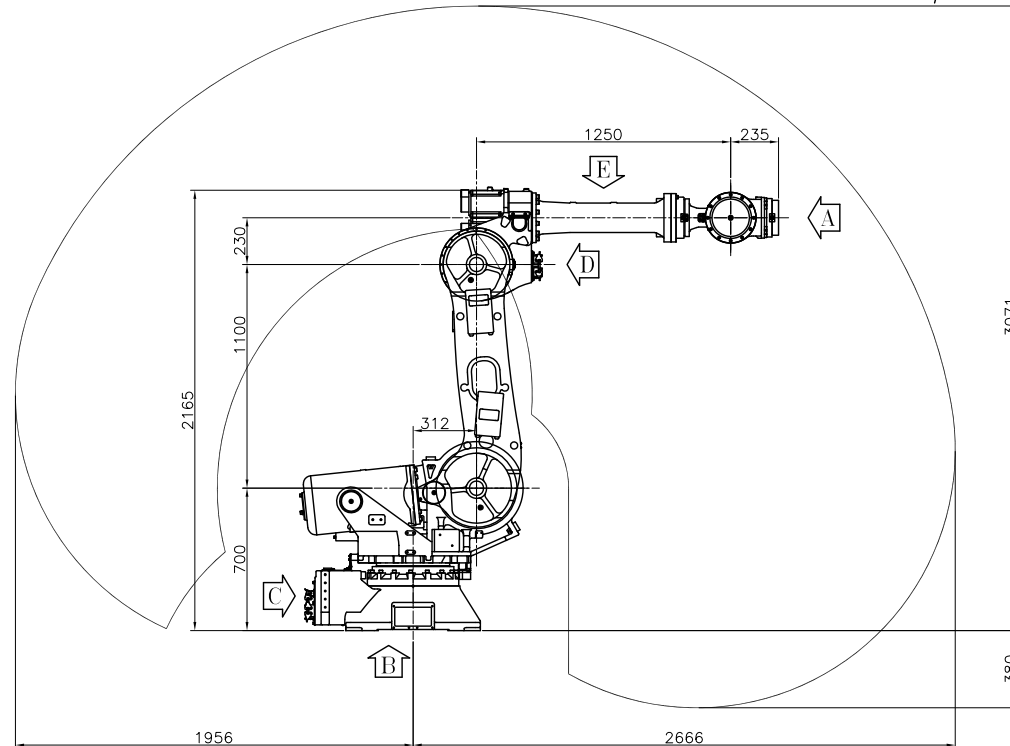
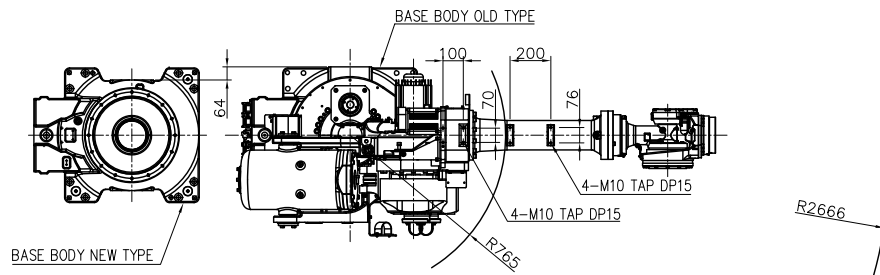


VIEW "A"  
(SCALE : 4/1)

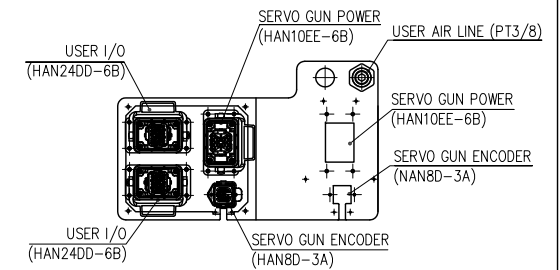
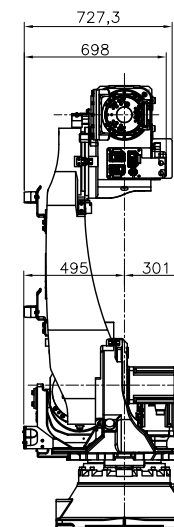
VIEW "B"  
(SCALE : 1/1)



VIEW "E"  
(SCALE : 2/1)



VIEW "C" <For Hi5a Controller>  
(SCALE : 2/1)



VIEW "D"  
(SCALE : 2/1)

MODEL	HS200	issue.2
DATE	2015.03.05	
HYUNDAI HEAVY INDUSTRIES CO.,LTD. ENGINE & MACHINERY DIVISION		

TECHNICAL SPECIFICATION SUBJECT TO CHANGE WITHOUT NOTICE