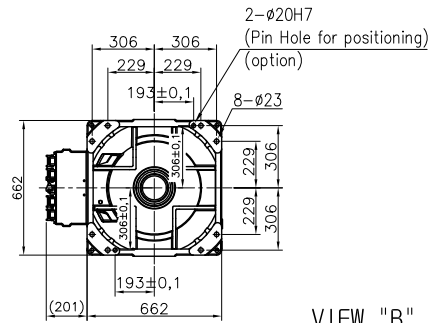
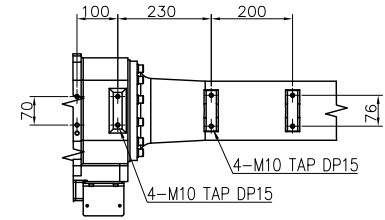


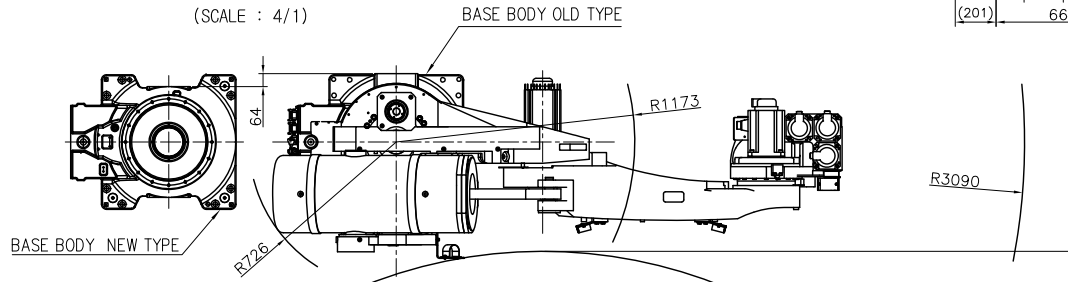
VIEW "A"  
(SCALE : 4/1)



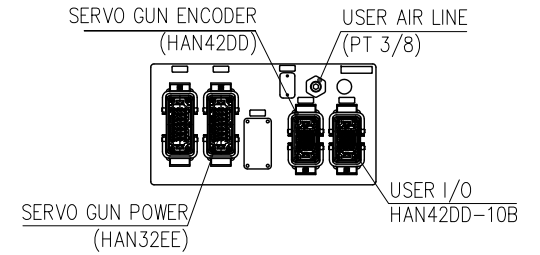
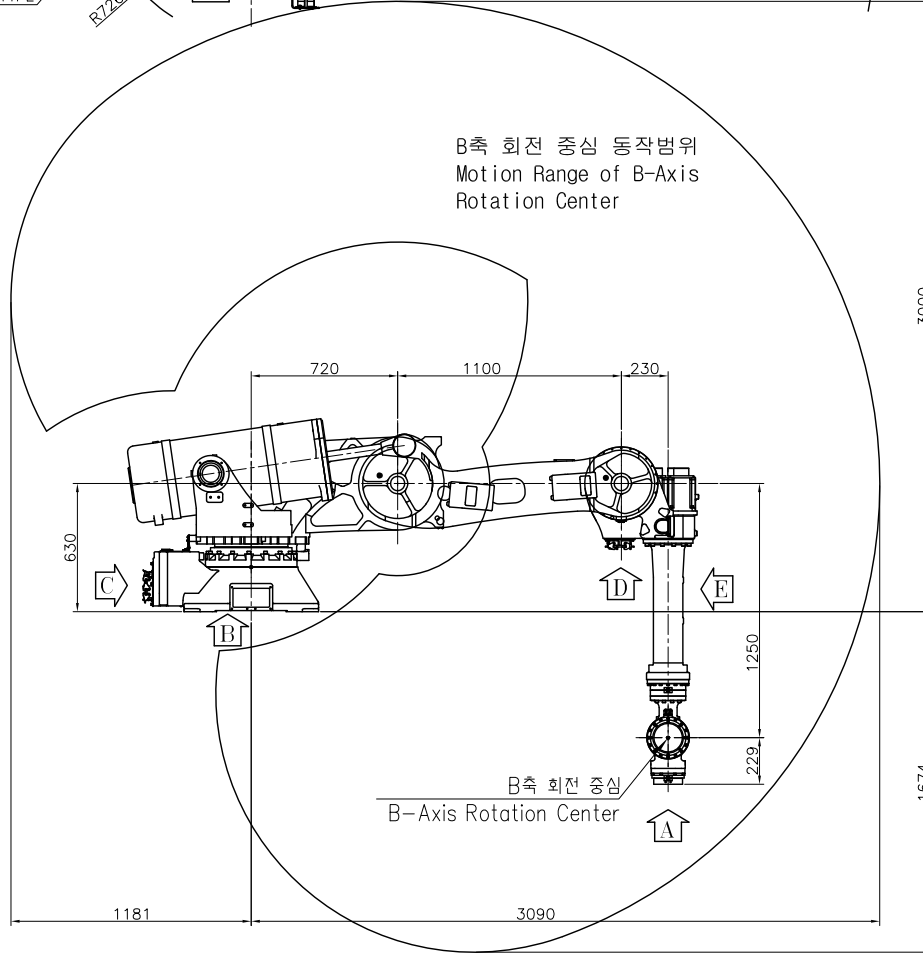
VIEW "B"  
(SCALE : 1/1)



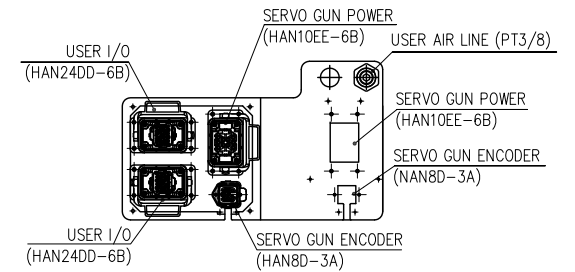
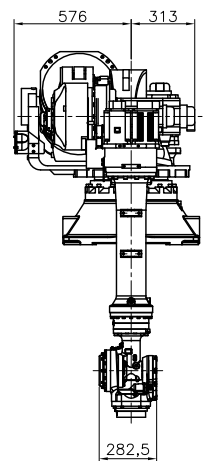
VIEW "E"  
(SCALE : 2/1)



B축 회전 중심 동작범위  
Motion Range of B-Axis  
Rotation Center



VIEW "C" <For Hi5a Controller>  
(SCALE : 2/1)



VIEW "D"  
(SCALE : 2/1)

MODEL	HS165S	issue.1
DATE	2015.02.04	
HYUNDAI HEAVY INDUSTRIES CO.,LTD. ENGINE & MACHINERY DIVISION		

TECHNICAL SPECIFICATION SUBJECT TO  
CHANGE WITHOUT NOTICE