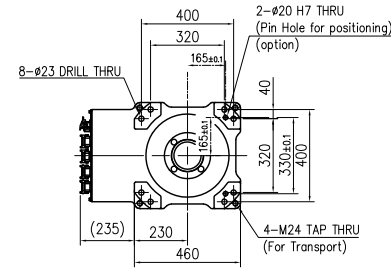
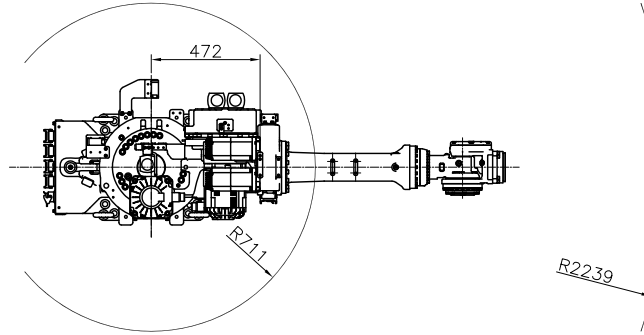
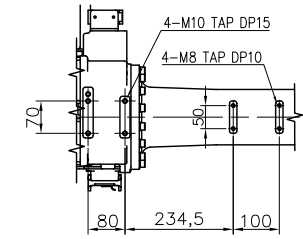


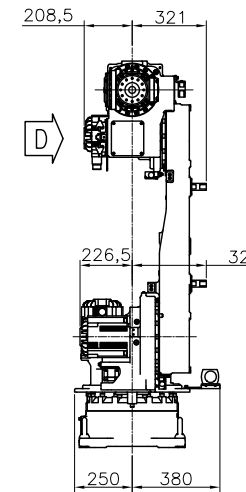
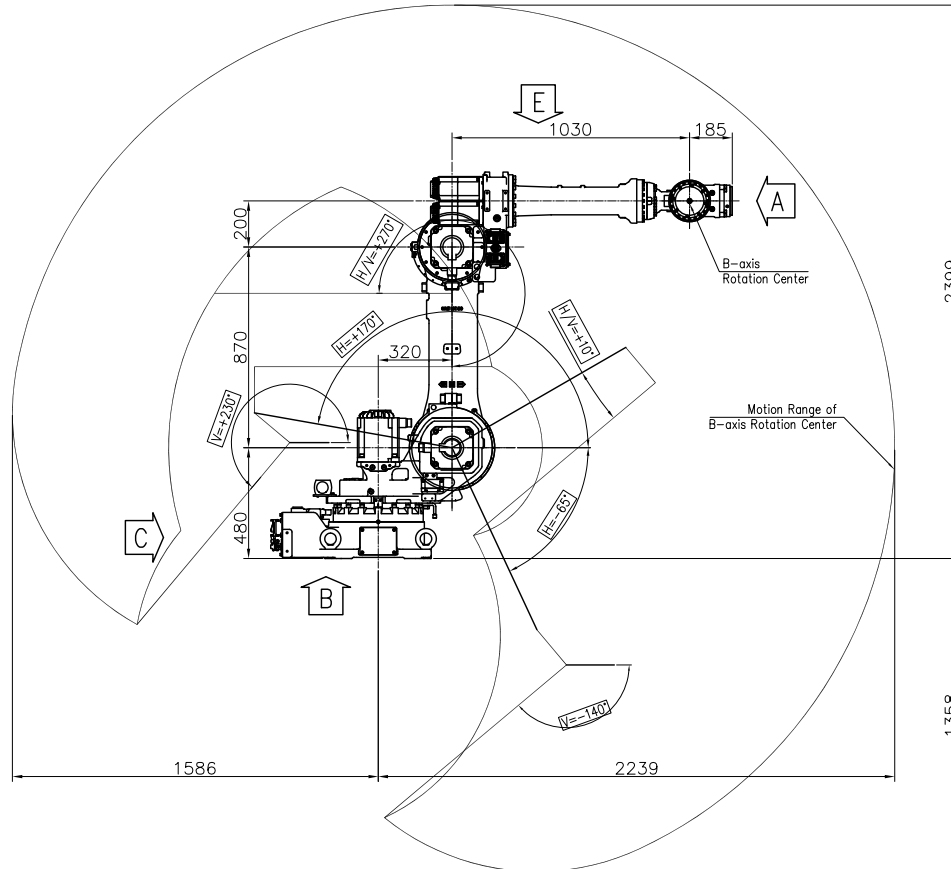
VIEW "A"  
(SCALE : 4/1)



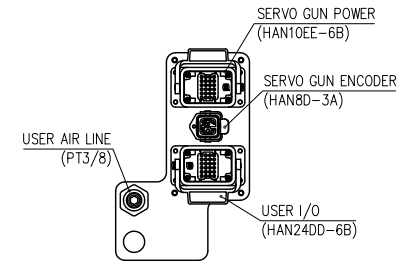
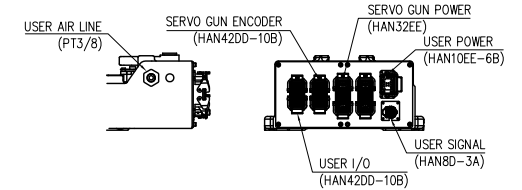
VIEW "B"  
(SCALE : 1/1)



VIEW "E"  
(SCALE : 2/1)



VIEW "C" <For Hi5a Controller>  
(SCALE : 2/1)



VIEW "D"  
(SCALE : 4/1)

MODEL	HH050-11	issue.1
DATE	2015.02.04	

TECHNICAL SPECIFICATION SUBJECT TO CHANGE WITHOUT NOTICE