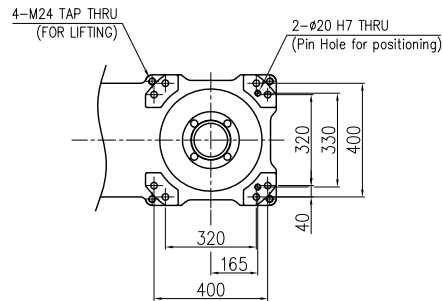
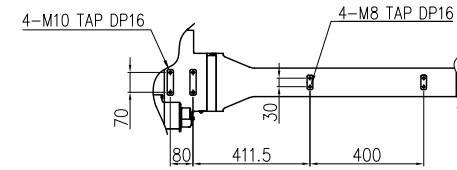


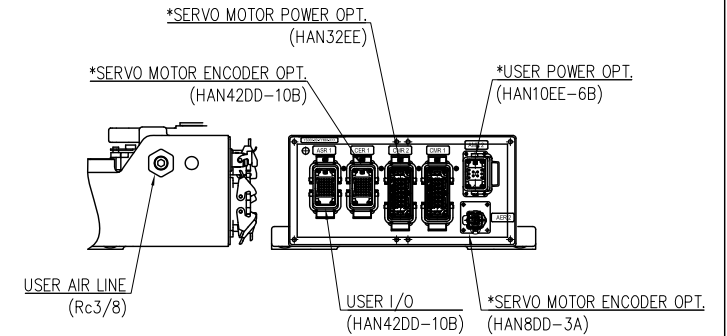
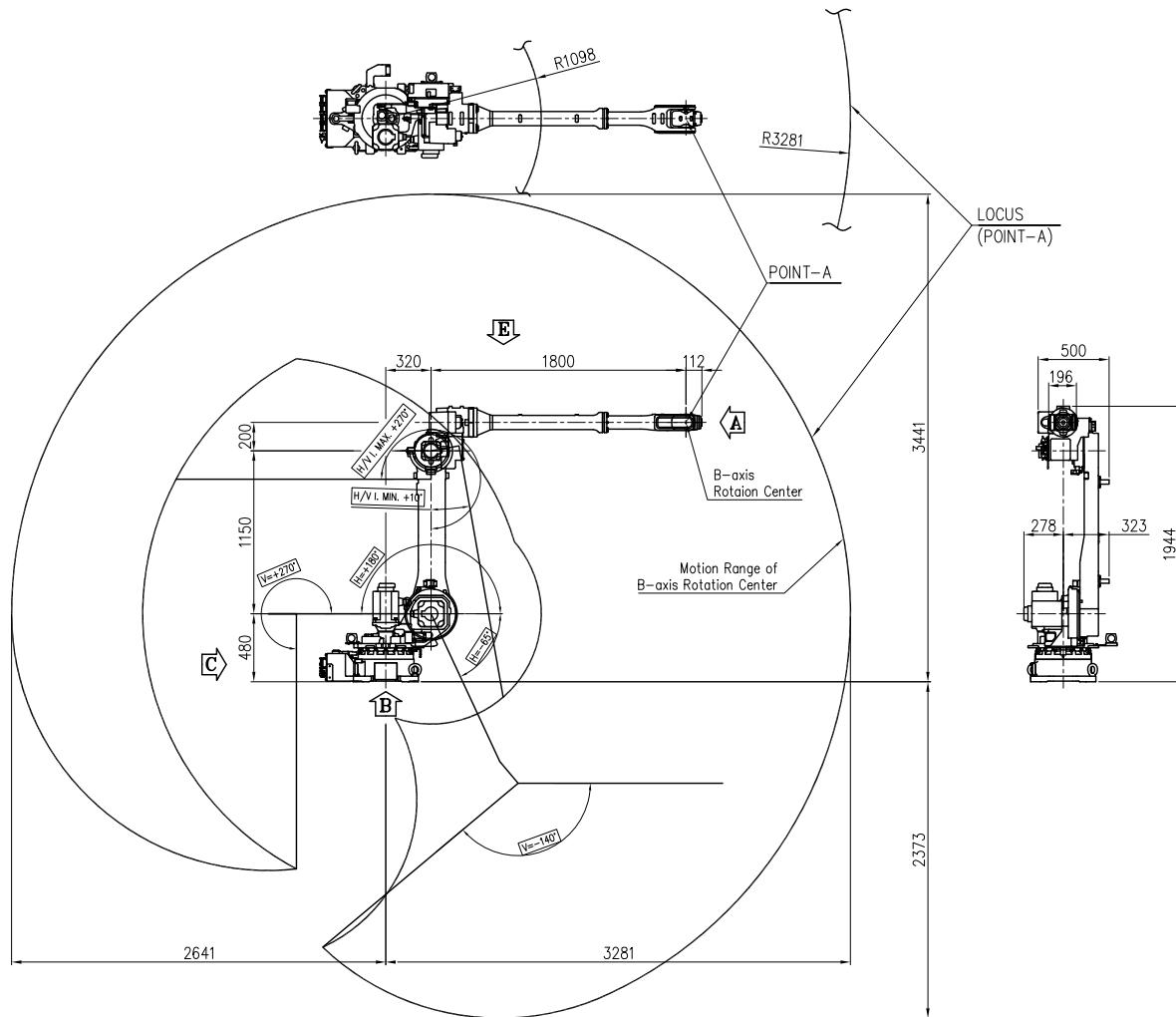
VIEW "A"
(SCALE : 4/1)



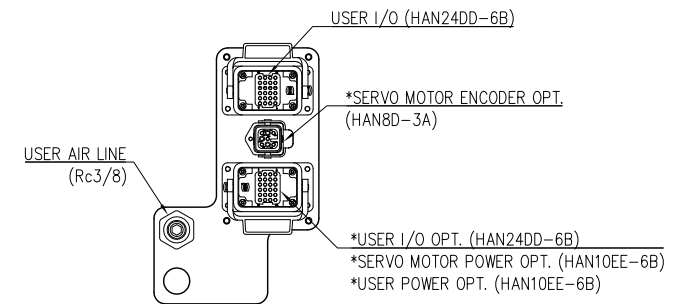
VIEW "B"
(SCALE : 2/1)



VIEW "E"
(SCALE : 2/1)



VIEW "C"
(SCALE : 4/1)



VIEW "D"
(SCALE : 8/1)

MODEL	HH020L-11	issue.3
DATE	2015.07.01	

TECHNICAL SPECIFICATION SUBJECT TO
CHANGE WITHOUT NOTICE

 HYUNDAI HEAVY INDUSTRIES CO.,LTD.
ENGINE & MACHINERY DIVISION