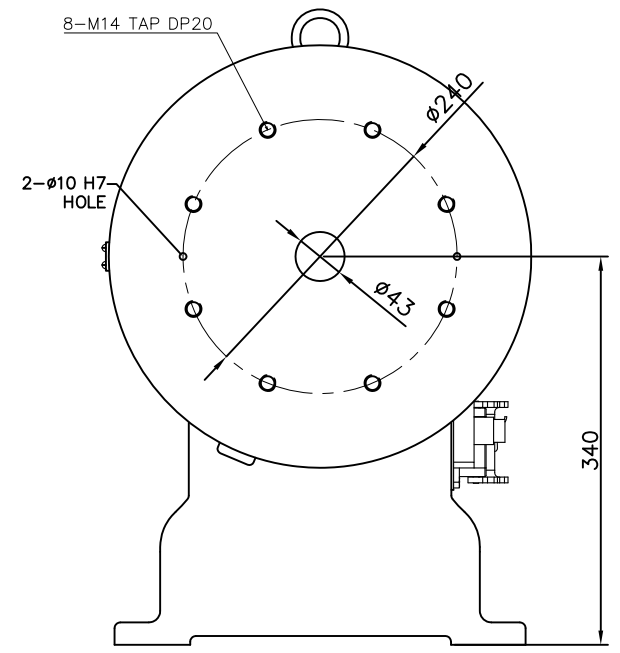
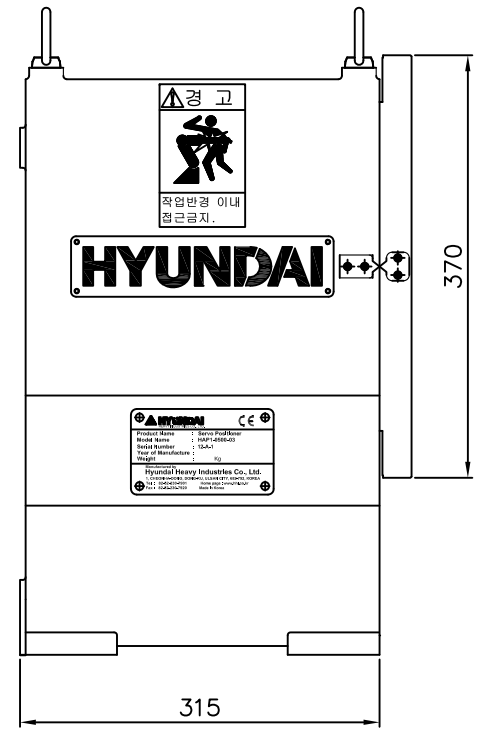
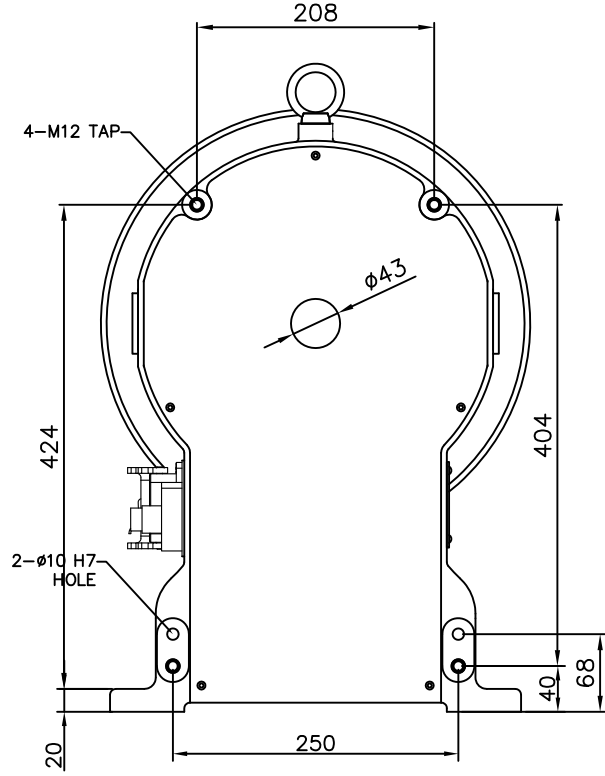
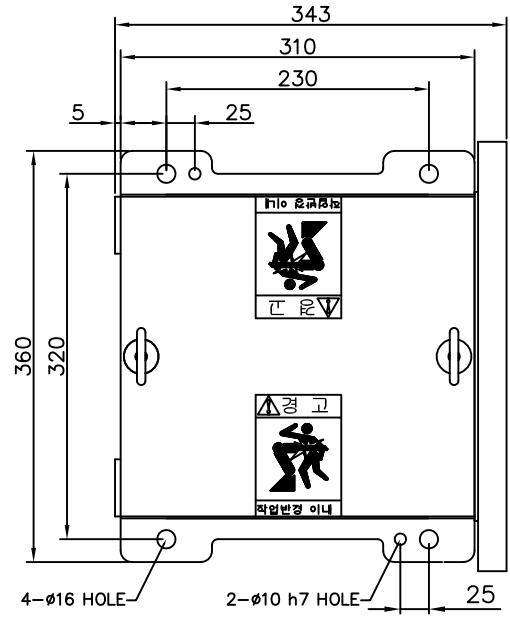


This drawing is property of
HYUNDAI
HEAVY INDUSTRIES CO., LTD.
 It is not to be copied or duplicated
 in any manner and shall not be submitted to
 outside parties without our written consent.

HAP1-0500-03

(1축 500KG 아크포지셔너)



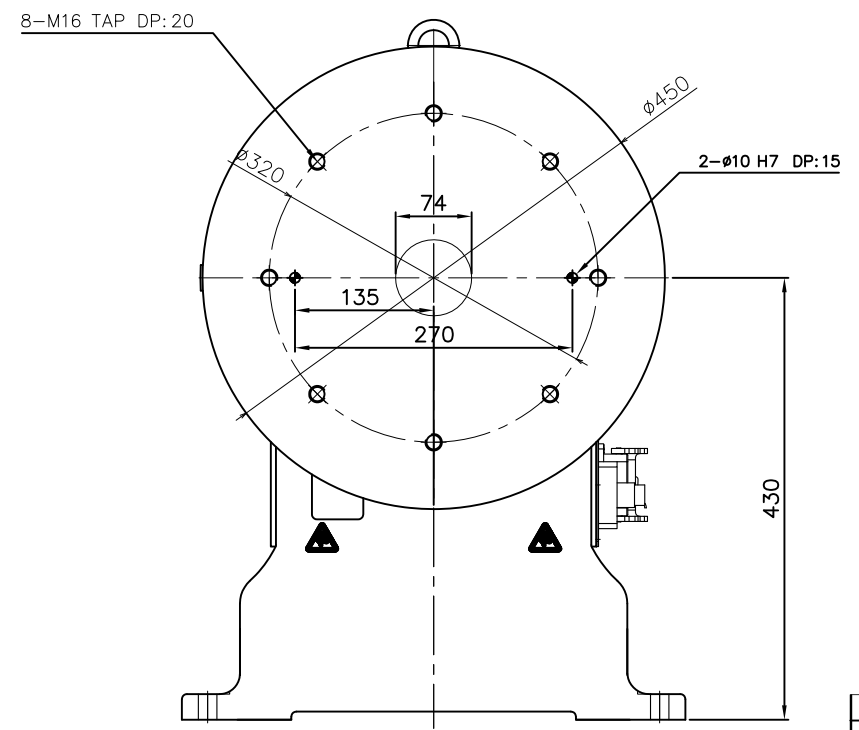
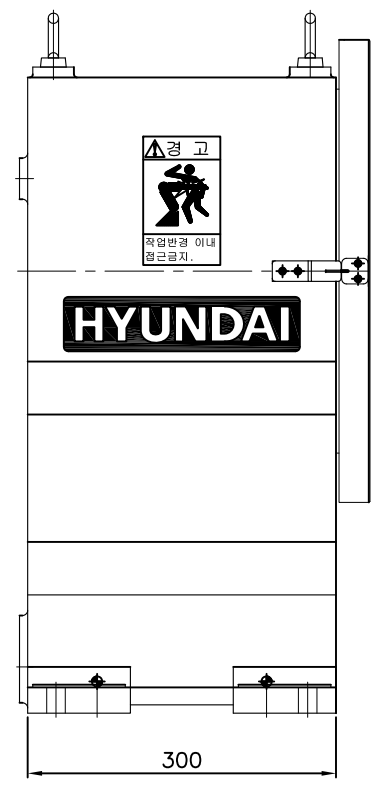
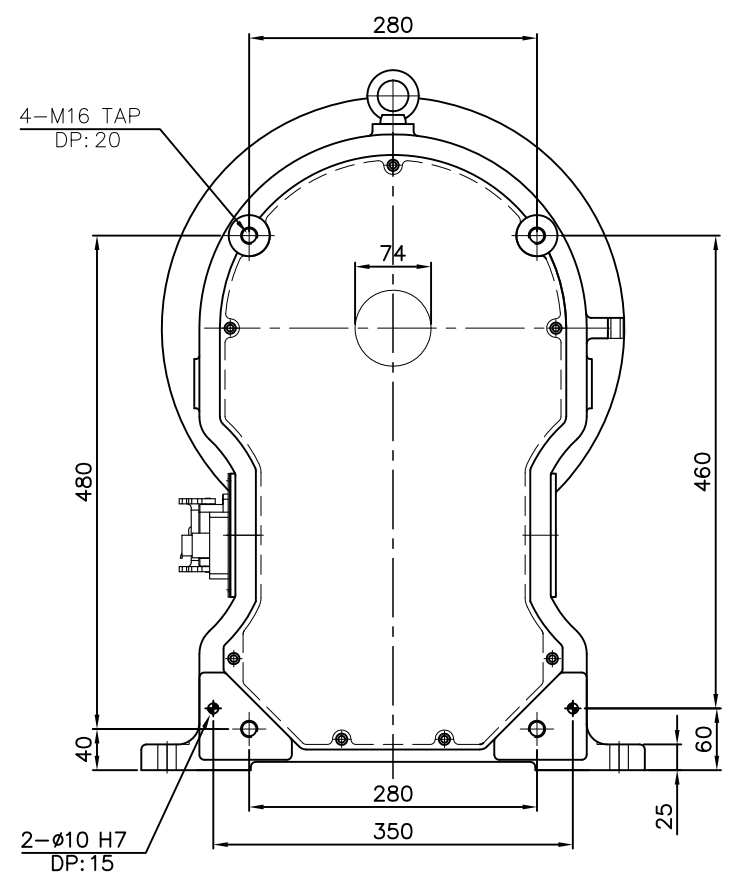
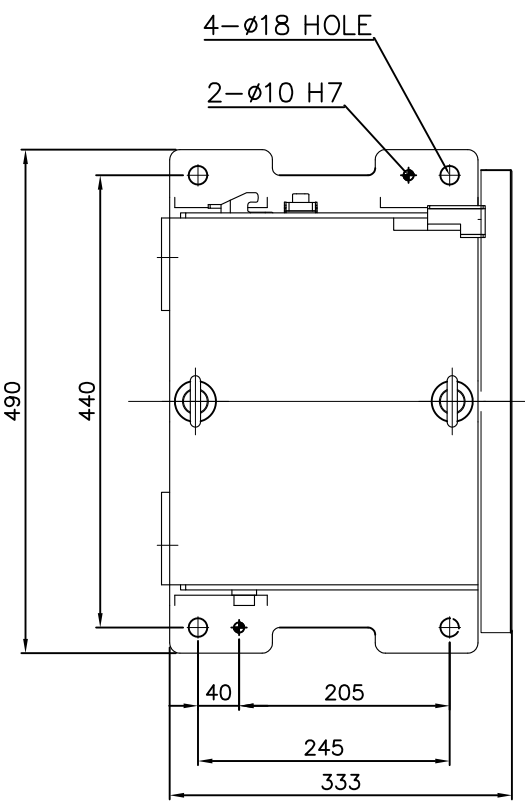
| | | | | | | | |
|-------------|---------------------|----------|--------------|------|-------------------------|--|-------|
| 2 | | | | | | | |
| 1 | | | | | | | |
| | J.Y. PARK | I.K. SEO | E.J. YUN | | | | QTY 0 |
| DWN | DSND | CHKD | CHKD | APPD | REASON FOR MODIFICATION | | |
| SCALE | 1 : 1 | PROJECT | HAP1-0500-03 | | | | SET |
| GROUP NO. | DESCRIPTION | | | | DWG NO. | | |
| | 1축 500kg positioner | | | | R18-PS0500-0.0 | | |
| OLD DWG NO. | GENERAL ASS'Y | | | | CUSTOMER | | |

HYUNDAI HEAVY INDUSTRIES CO.,LTD.
 ENGINE & MACHINERY DIVISION

This drawing is property of
HYUNDAI
HEAVY INDUSTRIES CO., LTD.
 It is not to be copied or duplicated
 in any manner and shall not be submitted to
 outside parties without our written consent.

HAP1-1000-02

(1축 1000KG 아크포지셔너)



| | | | | | 2 | | | |
|-------------|------|------|------|----------------------------------|-------------------------|------------------------|-----|---|
| | | | | | 1 | | | |
| J.Y. PARK | | | | | I.K. SEO | E.J. YUN | QTY | 0 |
| DWN | DSND | CHKD | CHKD | APPD | REASON FOR MODIFICATION | | | |
| SCALE 1 : 1 | | | | | PROJECT HAP1-1000-02 | | | |
| GROUP NO. | | | | DESCRIPTION 1축 1000kg positioner | | DWG NO. R18-PS1000-0.0 | | |
| OLD DWG NO. | | | | GENERAL ASS'Y | | CUSTOMER | | |

HYUNDAI HEAVY INDUSTRIES CO.,LTD.
 ENGINE & MACHINERY DIVISION